

CONCENTRIC FLUE SYSTEMS

Our concentric flue systems manufactured in the Netherlands are specifically designed for use with our Vision Trimline balanced flue gas fires.

We have a wide range of flue components and sizes to suit most configurations. Quick and easy to install our concentric flue is made from stainless steel and is fully weatherproof.

Our concentric flue systems are backed by a 10 year conditional warranty*

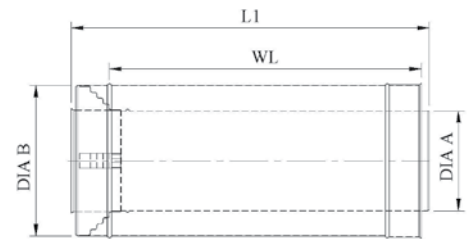
* Terms & Conditions apply



Straight Lengths

Available in three lengths which can be easily combined to achieve the required height for the installation. Each joint is firmly secured using the locking bands supplied.

PART	SIZE	DIA A	DIA B	L1
LENGTH 1000MM	100/150	100	150	1000
LENGTH 1000MM	130/200	130	200	1000
LENGTH 500MM	100/150	100	150	500
LENGTH 500MM	130/200	130	200	500
LENGTH 250MM	100/150	100	150	250
LENGTH 250MM	130/200	130	200	250

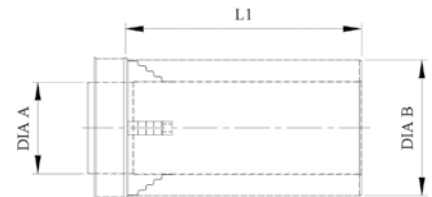


Adjustable Lengths

This component is used to ensure any variation in length is achievable as outlined below. The adjustable lengths are non-load bearing and telescopic and a wall bracket must be used on the component directly above the chimney run. Extra insulation is included so that additional length can be filled.

Adjustable length 310 - 445mm

PART	SIZE	DIA A	DIA B	L1
ADJLENGTH	100/150	100	150	310-445
	130/200	130	200	310-445



CONCENTRIC FLUE SYSTEMS

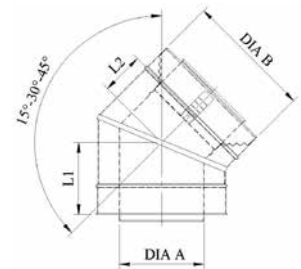
Elbows

Available in four options and are used when a change in direction of a flue run is required. They can be easily rotated where required to achieve the required direction.

PART	SIZE	DIA A	DIA B	L1	L2
ELBOW 15°	100/150	100	150	72	42
ELBOW 15°	130/200	130	200	90	52
ELBOW 30°	100/150	100	150	72	42
ELBOW 30°	130/200	130	200	90	52
ELBOW 45°	100/150	100	150	72	42
ELBOW 45°	130/200	130	200	90	52
ELBOW 90°	100/150	100	150	72	90
ELBOW 90°	130/200	130	200	87	106
ELBOW 90° INSPECTION	100/150	100	150	72	90
ELBOW 90° INSPECTION	130/200	130	200	87	106



Pictured above is the 30° elbow



Storm Collar

The storm collar is fitted to the flue run just after the installation passes through the roof and is fitted to the flue run just above the roof flashing using sealant and the nuts/bolts provided to give a weatherproof seal.

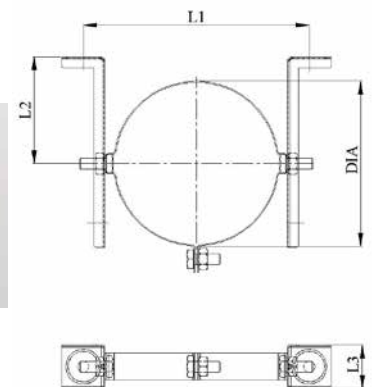
PART	SIZE	DIA A	DIA B
STORM COLLAR	100/150	100	150
	130/200	130	200



Wall Band

The wall band is used to support the flue system off of the wall

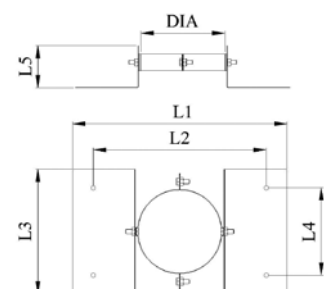
PART	SIZE	DIA A	L1	L2	L3
WALL BAND	100/150	150	208	120-175	40
	130/200	200	260	148-203	40



Roof Support

Pipe support for roof intersection

PART	SIZE	DIA A	L1	L2	L3	L4	L5
ROOFSUPPORT	100/150	150	385	311	225	158	76
	130/200	200	514	414	300	210	101

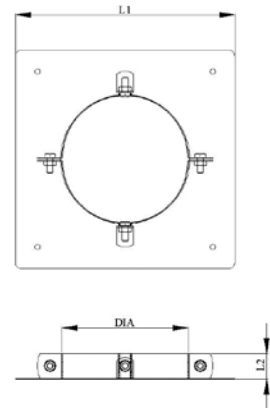


CONCENTRIC FLUE SYSTEMS

Ceiling Support

The ceiling support is supplied complete with a support collar and is for use where the flue system penetrates combustible floor

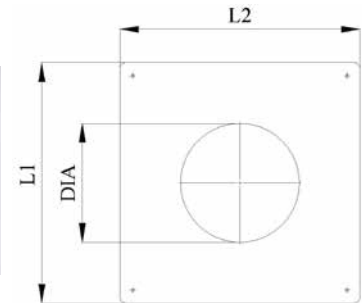
PART	SIZE	DIA	L1	L2
CEILING SUPPORT	100/150	150	208	40
	130/200	200	260	40



Firestop Plate

For use where flue system penetrates a wall or ceiling.

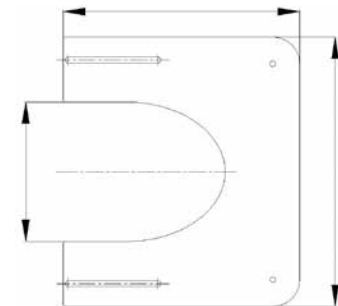
PART	SIZE	DIA	L1	L2
FIRESTOP PLATE	100/150	160	300	300
	130/200	210	350	350



Firestop Pitched

The pitched firestop for use on vaulted ceilings where the pitch of the ceiling is between 30 - 45 deg angle.

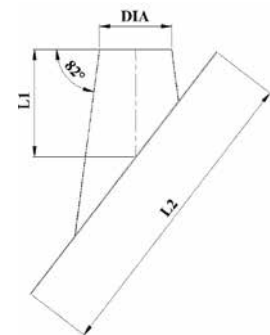
PART	SIZE	L1	L2	L3
FIRESTOP PITCHED	100/150	150	300	263
	130/200	200	350	288



Flashings

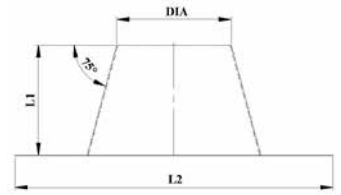
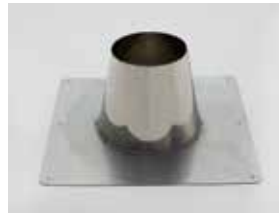
Flashings are used to form a watertight seal when the chimney penetrates a slate or tiled roof available in lead or aluminium bases in a variety of sizes.

PART	SIZE	DIA	L1	L2
LEAD ROOF FLASHING 20°-45°	100/150	160	150	700X800
	130/200	210	150	700X800

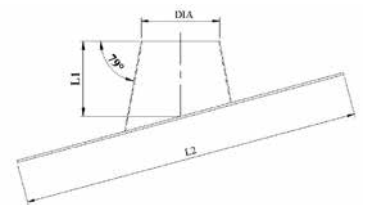
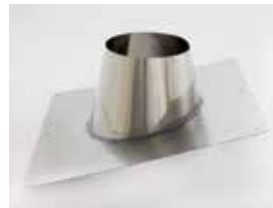


CONCENTRIC FLUE SYSTEMS

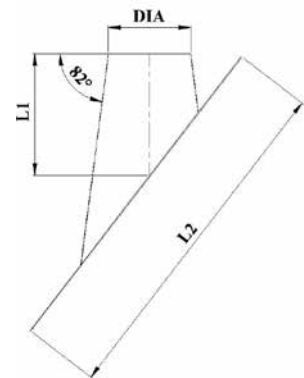
PART	SIZE	DIA	L1	L2
ROOF FLASHING 0°-10°	100/150	160	190	550X550
	130/200	210	190	600X600



PART	SIZE	DIA	L1	L2
ROOF FLASHING PITCHED 5°-25°	100/150	160	150	550X550
	130/200	210	150	600X600



PART	SIZE	DIA	L1	L2
LEAD ROOF FLASHING 45°-60°	100/150	160	150	700X800
	130/200	210	150	700X800



Locking Band

Used to complete and secure joints.

PART	SIZE	DIA
LOCKING BAND	100/150	145-160
	130/200	195-210

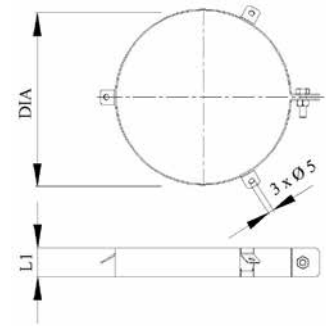


CONCENTRIC FLUE SYSTEMS

Guy Wire Band

A guy wire bracket can be used to brace a flue system when it protrudes more than 1.5m beyond its last support. It is clamped to the flue body and allows for the fixing of guy wires to ridge stays and slate brackets.

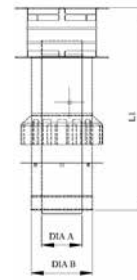
PART	SIZE	DIA	L1
GUY WIRE BAND	100/150	150	25
	130/200	200	25



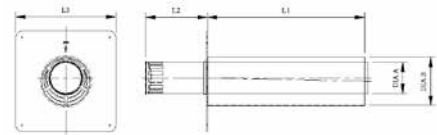
Terminals

For roof and wall termination

PART	SIZE	DIA	L1	L2
ROOF TERMINAL	100/150	100	150	502
	130/200	130	200	502



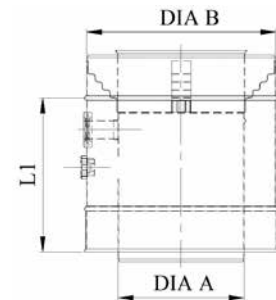
PART	SIZE	DIA A	DIA B	L1	L2	L3
WALL TERMINAL	100/150	100	150	480	206	315
	130/200	130	200	495	195	400



Measuring Element

The measuring element is used for checking the chimney draught, flue temperature & combustion efficiency of the heating appliance.

PART	SIZE	DIA A	DIA B
MEASURING ELEMENT	100/150	100	150
	130/200	130	200

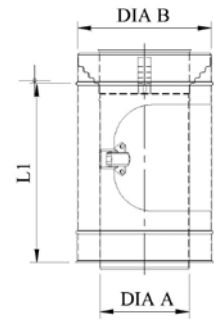


CONCENTRIC FLUE SYSTEMS

Inspection Length

The inspection length allows inspection and cleaning of flue system.

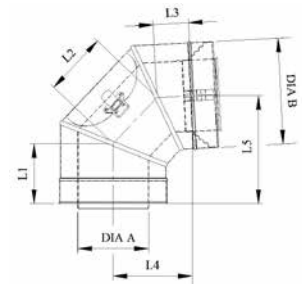
PART	SIZE	DIA A	DIA B
INSPECTION LENGTH 250MM	100/150	100	150
	130/200	130	200



Inspection Elbow

The inspection elbow allows inspection and cleaning of flue system.

PART	SIZE	DIA A	DIA A	L1	L2	L3	L4	L5
INSPECTION ELBOW 87°	100/150	100	150	72	90	44	145	150
	130/200	130	200	87	106	69	177	177



Renovation Kit

Designed for existing brick or ceramic chimneys including roof terminal.

PART	SIZE
RENOVATION KIT	100/150

