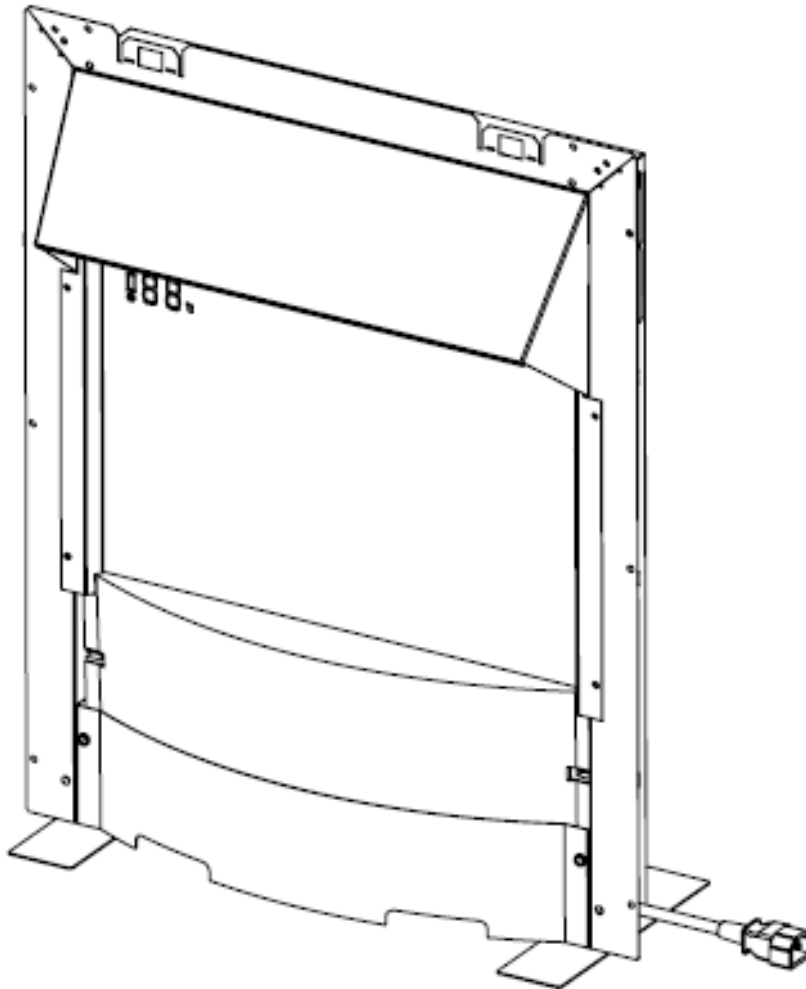


INSTRUCTION MANUAL

**PHANTASY ELECTRIC FIRE (TF-1561ERA)
FEATURING THE WHISPERGLOW FLAME EFFECT**



This product is only suitable for well insulated spaces or occasional use.

**To be left with the customer after demonstrating the features of
the PHANTASY ELECTRIC FIRE**

1. IMPORTANT SAFETY ADVICE AND GENERAL WARNINGS

All Capital Fireplaces Ltd electric fires meet the requirements of the EC directives 2004/108/EC, 2006/95/EC, 2015/1186 and 2015/1188

Please read these instructions thoroughly before use and retain them for future reference.

- **WARNING** - In order to avoid overheating, do not cover or obstruct the inlets or outlets of the heater.
- **WARNING** - Do not place objects on the heater or allow objects to obstruct the air circulation around the heater.
- **WARNING** - The heater must not be used if the any part of it is damaged.
- **WARNING** - Do not use this heater in small rooms when they are occupied by persons not capable of leaving the room on their own, unless constant supervision is provided.
- **CAUTION** - Do not use this heater outdoors.
- **CAUTION** - The heater must not be sited or used where it may come into contact with water, for example but not exclusively, in wet rooms, bathrooms, swimming pools or laundries.
- **CAUTION** - The heater must not be located immediately below, above or in front of a fixed socket-outlet or electrical connection box.
- **CAUTION** - Only control the appliance using the manual operations or the supplied remote control described in this manual. Do not use this heater with a programmer, timer, separate remote control system or any other device that switches the heater on automatically, since a fire risk exists if the heater is covered or positioned incorrectly.
- **CAUTION** — Some parts of this appliance can become very hot and cause burns.
- **CAUTION:** In order to avoid a hazard due to inadvertent resetting of the thermal cut-out, this appliance must not be supplied through an external switching device, such as a timer, or connected to a circuit that is regularly switched on and off by the utility.
- Do not use the appliance in rooms with explosive gas (e.g. petrol) or while using inflammable glue or solvent (e.g. when gluing or varnishing parquet floors, PVC etc.)
- Do not insert any objects into the appliance.
- Switch off and isolate the appliance from the mains supply when not in use or before cleaning and maintenance.
- This appliance must be connected to a 220/240V AC 50Hz supply.
- This appliance is intended for domestic household use only and should not be used for any other purpose or in any other appliance, such as for non-domestic use or in a commercial environment.
- This appliance is not intended for use or cleaning by children under 8 years of age, those persons with reduced physical, sensory or mental capabilities or persons with insufficient experience or knowledge unless suitable training and supervision has been provided to ensure the safe use of the appliance and to ensure that the hazards involved are fully understood.
- Children aged less than 3 years should be kept away from the appliance unless continuously supervised.
- Children aged over 3 years and less than 8 years shall only switch the appliance on or off, provided that it has been sited in its intended normal operating position and they have been given suitable instruction and supervision concerning the safe use of the appliance and they understand the hazards involved.
- Children aged over 3 and less than 8 years shall not plug in, regulate, clean nor maintain the appliance.
- Children of any age should not be permitted to play with the appliance or its controls.
- Never route the supply cable near the heater outlet of the appliance or under floor coverings. If the supply cord is damaged, it must be replaced by a suitably competent and qualified person.
- The appliance must not be sited within 1m of combustible items such as curtains, loose drapes or furnishings. It is recommended that this appliance is not used on deep pile carpets or fluffy rugs.
- The heater must not be used to dry wet or damp objects such as clothes.

- Remove exhausted batteries from the remote control unit and dispose of safely. Attention is drawn to the environmental aspects of battery disposal. Don't throw used batteries in dustbin. Different types of batteries or new and used batteries are not to be mixed. Batteries of the same or equivalent type as recommended are to be used. Batteries are to be inserted with the correct polarity.
- The appliance is supplied with a power lead complete with a moulded 13 Amp UK three-pin plug to connect into a standard UK socket outlet. This appliance must be earthed. The plug must be easily accessible after siting the appliance. Should a new fuse be required, consult a competent person to establish the reason for the fuse operating. Only once the fault is rectified should a new 13A fuse be inserted into the plug.
- Use only a dry duster or vacuum cleaner with brush attachment to clean the appliance. Never use abrasive cleaners, water, steam cleaners or aerosols on or near the appliance.
- This appliance has a safety thermal cut-out device. If this operates, then firstly isolate the appliance from the mains and then check for obstructions to the air flow and remove them. This could be fluff under the fire, for example. Once the obstruction(s) have been removed, let the appliance cool down for 15 minutes and then reconnect the appliance to the mains and try the appliance again. If the issue persists, then seek the advice of a competent person.
- This appliance operates using two motors (one for the flame effect and another for the fan heater) which when operating emit a low level of noise. This is normal.

2. REMOTE CONTROL BATTERY WARNING:

Only adults should handle the batteries. Do not allow a child to use the remote control unless the battery cover is securely attached to the battery compartment.



DANGER if swallowed

The battery type used in this remote control is one CR2025 – 3V battery. The battery is located internally. To replace the battery follow the guidelines on the rear of the hand set.

All batteries must be disposed of at your local recycling point. DO NOT SWALLOW ANY BATTERIES!

3. CONTENTS

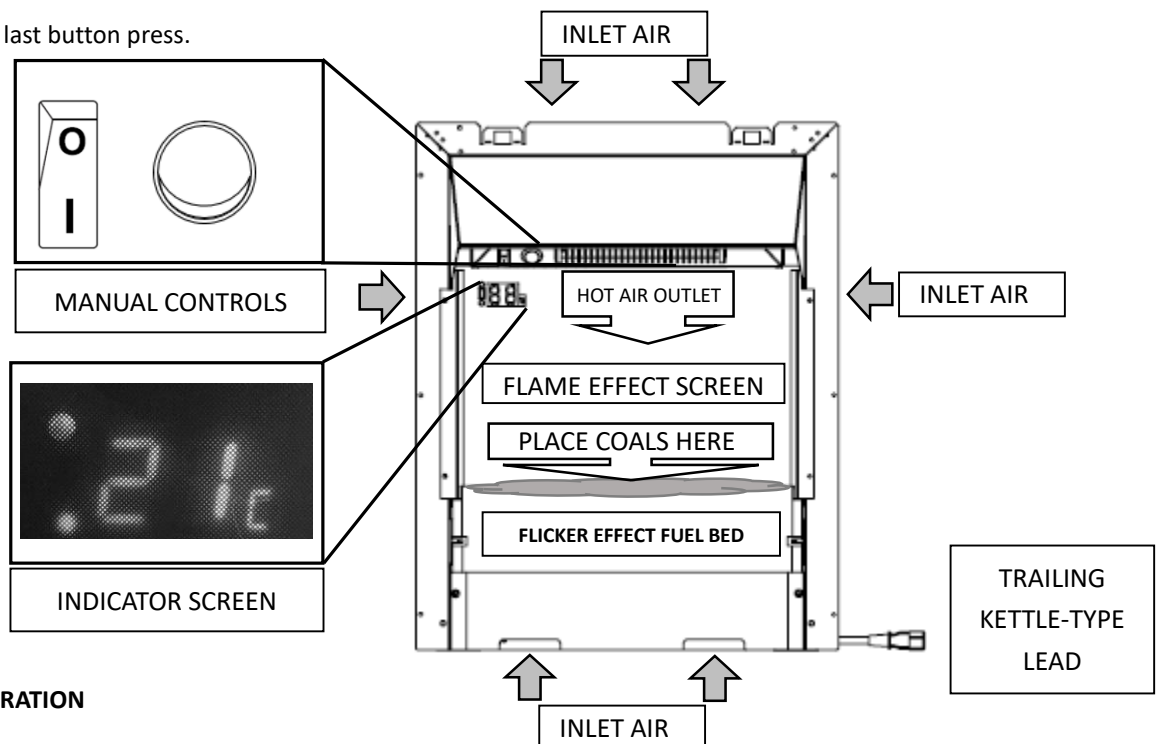
Please check that the following components are included within the box. If anything is missing or damaged, please contact the retailer and do not use the appliance until you have everything.

- Appliance with trailing kettle-type socket.
- Kettle-type lead with moulded 13 Amp plug.
- Box of coals – to be positioned carefully on top of the flicker effect fuel bed.
- Remote control hand set.
- Stability system and feet
- Associated screws
- Instruction manual.

4. OPERATION

SETTING UP

- Ensure the appliance is properly placed on a stable, flat and level surface. The trailing kettle-type socket can be positioned to the left or right of the appliance. Plug the kettle-type lead into this socket and then plug the 13 Amp plug it into the mains socket.
- The main power and heater switches are located under the canopy of the appliance.
- The indicator screen display shows the settings described later. The numbers and letters will extinguish 5 seconds after the last button press.



3.1 MANUAL OPERATION



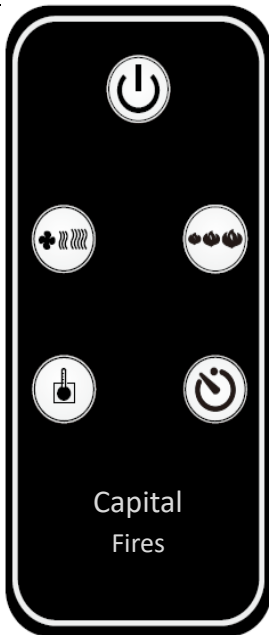
MAIN POWER SWITCH - Turn on the main power by switching to the “I” position. To turn power off, switch the main power to the “O” position. A beep will be heard and now the appliance is in standby mode. The main power switch must be switched ON for manual control before setting up.



MANUAL CONTROL SWITCH – This button controls the illumination of the fuel bed and flame effect as well as the operation of the two stage fan heater. Press this control switch once to illuminate only the flicker effect fuel bed and the flame effect – a “0” and green light shows on the screen, followed by the ambient temperature local to the fire and then turns off. Pressing the button again turns on the first heating stage (900W) – a “1” and amber light shows on the screen, followed by the ambient temperature local to the fire and then disappears. Pressing the button a third time turns on the second of the two heating stages (1800W total) – a “2” and red light shows, followed by the ambient temperature local to the fire and then disappears. The second stage gives an extra heating boost. To completely turn off the fan heater and flame effect, press this button a fourth time – the red standby light then illuminates and remains on until the unit is isolated or reactivated. The fan will run on for 10 seconds after the heating stages have been turned off.

3.2 OPERATION USING THE REMOTE CONTROLLER

- Ensure the battery protection tab has been removed from the bottom of the remote control hand set before use.
- The remote control must normally remain within 3 meters of the fire to be effective. It can work up to 5m away.
- Ensure that the fire is plugged into the mains and the main power switch is ON manually before using the remote controller, otherwise the remote controller will not work.



ON-OFF - Press this button to activate the appliance and turn on the flame picture. A green light will show on the screen for 5 seconds.



FLAME EFFECT BRIGHTNESS - Press this button to set the flame effect brightness for the screen only. The first press will start the brightness cycling from its brightest to its dimmest. During this cycling mode, a green light will display on the screen. The second press will stop the cycling at the brightness of your choice and the green light will disappear. The flame picture will turn on at its brightest level each time the fire is turned on.



HEATER - Press this button to activate the first heating stage (900W). The number 1 and an amber light will display on the screen for 5 seconds, followed by the ambient temperature near the fire. Press it again to activate the second of the two stages of heating for an extra boost of heat (1800W). The number 2 and a red light will display on the screen for 5 seconds, followed by the ambient temperature near the fire. The third press of this button will

turn off the heaters and show "0" on the screen and a green light for 5 seconds, followed by the ambient temperature near the fire. The fan will run on for 10 seconds after the heating stages have been turned off. This button has no effect if the thermostat has been set.



THERMOSTAT - Press this button to set the desired target temperature in degrees Celsius. There are 5 temperature settings (18°C, 21°C, 24°C, 27°C, 30°C) shown on the screen, cycling with each press of this button. Once the target temperature has been set and the display on the screen has disappeared, press this button again until 30°C is displayed and then once more to cancel the set up. If the appliance has been set to maintain a particular temperature, the appliance will automatically select one or two stages of heating depending on the ambient temperature near the fire. Once that temperature, plus 3°C is reached the heater(s) will automatically turn off. The fan will run on for 10 seconds after the heating stages have been turned off. If the ambient temperature drops 2°C below the target temperature then the fan heater will turn on automatically.

If the ON OFF button is pressed once the thermostat function is activated, then that target temperature will be cancelled.



TIMER - Press this button to set the timer function for up to 6 hours, in one hour increments. With each press of this button the number on the screen increases by one, until "6" is reached. The next press will cancel the timer function. If you set the timer at say, 2 hours, the timer will commence its countdown and turn the appliance back to standby mode in 2 hours' time.

5. SERVICING AND MAINTENANCE

- There are no user-serviceable components to this appliance – do not attempt to service the appliance. If there are issues that cannot be resolved with your appliance, then please contact your retailer.
- It is recommended that this appliance is serviced every year by a competent person. It must not be serviced or repaired without isolating it from the mains before commencing the service.
- Use only a clean dry duster to clean the surfaces of the appliance. DO NOT use water, abrasive cleaners, steam or other household/industrial products or cleaners.
- Hard floor coverings in particular, but all floor coverings cause fluff that can be drawn into the air intakes. From time-to-time and no less than every two months, isolate the fire from the mains and attach the brush accessory to your vacuum cleaner and gently vacuum the air intakes and outlets. Please refer to on the diagram on page 3.

6. TROUBLESHOOTING – IF IN DOUBT isolate the appliance and seek professional advice

- The unit does not switch on:
 - Making sure it is safe to do so, check the mains supply
 - Making sure it is safe to do so, check the fuse in the mains supply
 - Change the battery in the remote control handset
 - If none of the above work, then please refer to your retailer
- The heater smells of burning:
 - On first uses there may be a smell as the heating elements burn off residual deposits from manufacture.
 - After periods of no use, dust can settle on the elements and will burn off. Excessive dust and fluff is a fire risk and should be eliminated by following the service and maintenance steps above.
- When the heater is switched on it cuts itself off.
 - This could be the normal operation of the thermostat having been set to a target temperature, and is fine.
 - This could be the safety thermal cut-out device operating. If this operates, then firstly isolate the appliance from the mains and then check for obstructions to the air flow and remove them. This could be fluff under the fire, for example. Once the obstruction(s) have been removed, let the appliance cool down for 15 minutes and then reconnect the appliance to the mains and try the appliance again. If the issue persists, then seek the advice of a competent person.
- The appliance seems to work, but no lights are illuminated
 - Please refer to your retailer
- The fuel bed flickers
 - This is normal and is a feature of the appliance giving a realistic flickering ember effect.
- The fan heater is noisy
 - This is normal – all fan heaters are audible as the fan is the method of distributing the heat from the heating elements to the room.
- The thermostat reading on the screen does not match the room temperature.
 - The thermostat reading is of the ambient temperature in the immediate vicinity of the fire. It may be necessary to set a higher target temperature in some instances. In some cases it may be more suitable to turn on the heating element(s) without setting a target temperature – see heater instructions - page 4.

7. TECHNICAL INFORMATION

- MODEL – PHANTASY (TF-1561ERA), 220-240V/50Hz. POWER - 1800W. OVERALL DIMENSIONS 485mm WIDE X 600mm HIGH X 200mm DEEP.
- COMPRISING THE WHISPERGLOW FLAME EFFECT WITH THE FLICKERING FUEL BED.

- In accordance with EC Directive 2015/1188, please note the following information required for electric local space heaters.

PHANTASY ELECTRIC FIRE MODEL TF-1561ERA					
ITEM	SYMBOL	VALUE	UNIT	ITEM	UNIT
HEAT OUTPUT				TYPE OF HEAT INPUT, FOR ELECTRIC STORAGE LOCAL SPACE HEATERS ONLY (SELECT ONE)	
NOMINAL HEAT OUTPUT	P_{max}	1.8	kW	MANUAL HEAT CHARGE CONTROL, WITH INTEGRATED THERMOSTAT	NO
MINIMUM HEAT OUTPUT (INDICATIVE)	P_{min}	0.9	kW	MANUAL HEAT CHARGE CONTROL WITH ROOM AND/OR OUTDOOR TEMPERATURE FEEDBACK	NO
MAXIMUM CONTINUOUS HEAT OUTPUT	$P_{max,c}$	1.8	kW	ELECTRONIC HEAT CHARGE CONTROL WITH ROOM AND/OR OUTDOOR TEMPERATURE FEEDBACK	NO
AUXILIARY ELECTRICITY CONSUMPTION				FAN ASSISTED HEAR OUTPUT	
AT NOMINAL HEAT OUTPUT	$e_{l,max}$	1.8	kW	TYPE OF HEAT OUTPUT/ROOM TEMPERATURE CONTROL (SELECT ONE)	
AT MINIMUM HEAT OUTPUT	$e_{l,min}$	0.9	kW	SINGLE STAGE HEAT OUTPUT AND NO ROOM TEMPERATURE CONTROL	NO
IN STANDBY MODE	$e_{l,SB}$	0.486	W	TWO OR MORE MANUAL STAGES, NO ROOM TEMPERATURE CONTROL	NO
				WITH MECHANICAL THERMOSTAT ROOM TEMPERATURE CONTROL	NO
				WITH ELECTRONIC ROOM TEMPERATURE CONTROL	YES
				ELECTRONIC ROOM TEMPERATURE CONTROL PLUS DAY TIMER	NO
				ELECTRONIC ROOM TEMPERATURE CONTROL PLUS WEEK TIMER	NO
				OTHER CONTROL OPTIONS (MULTIPLE SELECTIONS POSSIBLE)	
				ROOM TEMPERATURE CONTROL WITH PRESENCE DETECTION	NO
				ROOM TEMPERATURE CONTROL WITH OPEN WINDOW DETECTION	NO
				WITH DISTANCE CONTROL OPTION	NO
				WITH ADAPTIVE START CONTROL	NO
				WITH WORKING TIME LIMITATION	YES
				WITH BLACK BULB SENSOR	NO
CONTACT DETAILS	CAPITAL FIREPLACES LIMITED. 12-17 HENLOW TRADING ESTATE, SG16 6DS. 01462 813138. WWW.CAPITALFIREPLACES.CO.UK . SALES@CAPITALFIREPLACES.CO.UK				

8. WARRANTY

- There is a one year warranty on parts from date of purchase, subject to proof of purchase, proof that a competent person installed the appliance and evidence for annual servicing being provided and that these instructions have been followed. Please keep a record of the purchase/services along with your receipts at the end of this manual. Please contact your retailer if you have any questions regarding the warranty.

9. NOTES

- It is important for your 12 month warranty to keep a record of the purchase and servicing dates. Please use the space below for his purpose:

EVENT	DATE	BY WHOM	SIGNED
INSTALLATION			
SERVICE 1			
SERVICE 2			
SERVICE 3			
SERVICE 4			
SERVICE 5			

10. END OF LIFE DISPOSAL

- It is unacceptable to see this product thrown away to be buried in a landfill site, so when this product is discarded, please ensure it is taken to the local recycling centre and set aside with the electrical appliances.