



capital

fireplaces

Installation & User Instructions:

Models:

Lectro Inset Fire (Manual) – Electric – Code: 1703001

Lectro Inset Fire (Remote Control) – Electric – Code: 1703002

**Once installed, the installer should take the appropriate steps
To ensure that the user understands how the appliance operates and
Should make the customer aware of the appliances basic service requirements.**



IMPORTANT INFORMATION

All Capital fireplaces Ltd products meet the requirements of the EC Directives 2004/108/EC and 2006/95/EC. These directives have been met by compliance with the following standards:

BS EN 60335-1:2002

BS EN 60335-2-30:2003

BS EN 6100-6-3:2001

Please read these instructions before installation or use and keep this booklet handy for future reference.

Safety:

This appliance is not intended for use by persons (including children) with reduced physical, sensory or mental capabilities, or lack of experience and knowledge, unless they have been given supervision or instruction concerning the use of the appliance by a person responsible for their safety.

Children should be supervised to ensure that they do not play with the appliance.

General Warnings:

Never leave children unsupervised with an unguarded heater.

Never obstruct or cover the heater outlet.

Never install or use this product where it may come in contact with water i.e. a bathroom or wet room.

Never use aerosols or steam cleaners near this product.

Never route the electric cable near the heater outlet.

Never route the electric cable under carpets or floor coverings.

Never install this product close to curtains or combustible materials.

Never Use the heater to dry clothes or other objects.

Never remove the fireplace surrounding without isolating the electric supply.

Important electrical safety:

This appliance must never be installed above or in front of a fixed electric socket.

The electrical socket must be easily accessible to isolate the supply during maintenance and cleaning.

This appliance is supplied with a two meter power lead, which has a 13Amp moulded three pin plug to connect to a standard 230/240V plug socket.

This appliance must always be earthed. If in any doubt consult a suitably competent person.

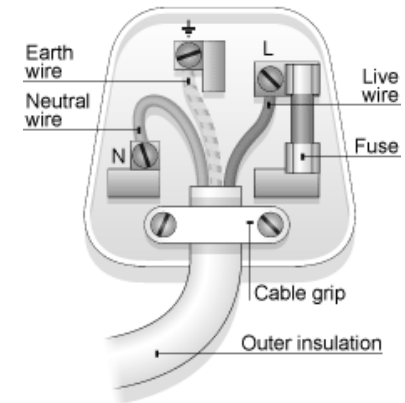
Replacement plug: (Please note that it may invalidate your warranty if the moulded plug is removed)

This appliance must only be connected to a 230/240 Volts AC 50Hz supply. Before connecting the fire, check that the supply voltage is the same as stated on the fire. This appliance must only be used on a AC supply, fuse rating 13Amp. The wires in the mains lead are coloured in accordance with a standard UK supply, these being:

GREEN/YELLOW – EARTH
BLUE – NEUTRAL
BROWN – LIVE

As the colours of the mains lead of this appliance may not match the coloured markings used to identify the terminals in a plug, please observe the following:

- The green and yellow wire must be connected to the terminal in the plug which is marked with the letter E or the earth symbol.
- The blue wire must be connected to the terminal in the plug marked with the letter N.
- The brown wire must be connected to the terminal in the plug marked with the letter L.
- If the plug is damaged, replace or consult a qualified electrician.
- Replace fuses only with fuses of the correct size and rating.



Servicing:

Only a competent person should service this appliance.

We recommend that this appliance is serviced every 12 months.

Warning: Before carrying out any repairs or servicing, ensure that the power supply cord is removed from the mains supply.

INSTALLATION REQUIREMENTS

INSET MODELS:

This product has been designed to be installed into a standard 420mm(W) x 570mm(H) x 100m(D)

If the products is to be installed into a open chimney or flue, it is important that the chimney/flue is blocked off to prevent any up/down draughts and falling debris which could restrict and alter the airflow to the product.

It is also important to ensure that the product has a minimum clearance around it of 15mm, this is to ensure that the product can circulate the required airflow for the heater unit.

The product should never be sealed into a opening with the use of silicones or adhesives as this can also alter the airflow and hinder any further servicing of the product.

(Heater unit cut-out) (This is a safety feature, to safe guard against further damage to the product).

If the airflow is restricted the heater will automatically turn off. This is can occur due to incorrect installation or obstruction. To reset the heater function:

- isolate from the mains power supply.
- Leave product to cool.
- After a suitable cooling down period, remove the obstruction if obstructed, and check installation.
- After 10 minutes the thermo switch (cut-out) in the heater will reset.

Please note that both the effect fan and heater fan omit a low decibel noise, both of which are normal operating characteristics.

INSTALLATION

STEP 1

Determine the type of decorative frame or fascia that will be fitted to the appliance. If it is a separate steel, 3 sided trim and cast iron fret, please proceed to step 2. If it is a one piece cast iron frame (with removable ash pan cover), then the appliance canopy will need to be removed.

To do this remove the four screws indicated in Fig. 1 and gently lift the canopy away from the appliance. This component is no longer required.

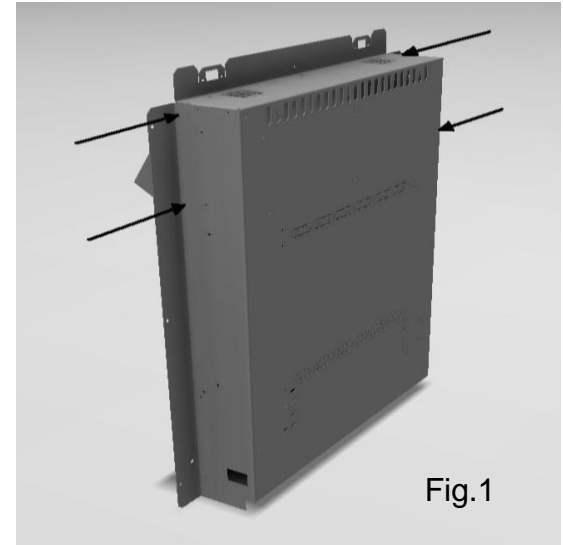


Fig.1

STEP 2

Carefully lift the appliance into the opening/fireplace, ensuring that the power cable reaches a suitably positioned electrical outlet.

To secure the appliance mark through the four holes located on the outer flanges (see Fig.2). Carefully remove the appliance and, using a suitable bit, drill and plug the marked areas. Refit and secure the appliance with four appropriate screws.

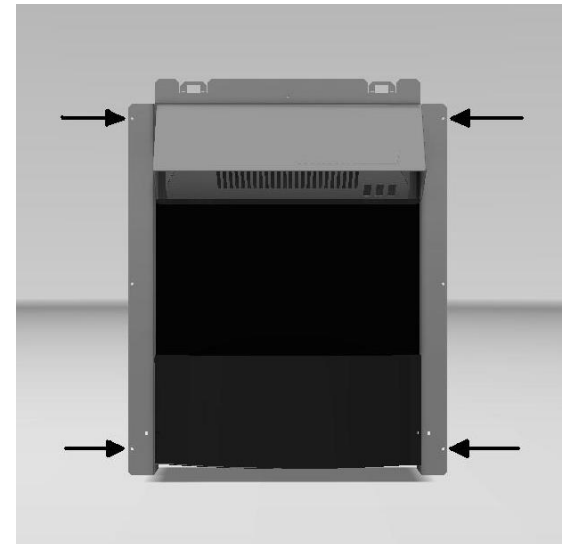


Fig.2

STEP 3

Fit the decorative frame or fascia.

3 sided trim and cast iron fret – fit the trim to the fire using magnets provided, then place the cast iron fret in front of the ‘fuel bed’.

1 piece cast iron frame – before fitting, bend down the two ‘hooks’ at the top of the appliance.

Hook the frame onto these hooks and secure by screwing into the bottom of the appliance using the two short screws and washers provided (see Fig.3).

Complete installation by arranging the pebbles or coals on the top of the fuel bed,

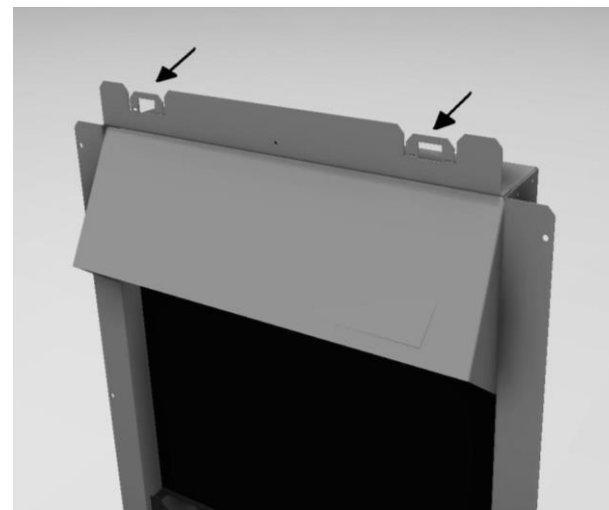


Fig.3

TECHNICAL SPECIFICATIONS

MODELS: LECRO (M/R)

POWER: 2000W

DIMENSIONS:

WIDTH

HEIGHT

DEPTH

FIREPLACE OPENING SIZES:

WIDTH

HEIGHT

DEPTH

VOLTAGE: 220-240

LAMP: 1X MAX 20W/1200 LUMIN

OVERALL:

512

610

117

MINIMUM:

415

570

75

FREQUENCY: 50Hz

INSET:

410

565

75

MAXIMUM:

430

590

N/A

CABLE TIE-BACK FIXING METHOD

1. Screw and fix the eyelet into the top of the installation aperture.
Fig:1
2. Feed the wire first through the body of the fire and then through the eyelet. Fig:2
3. Once threaded through the eyelet, feed back through the same hole on the fire body to create a loop.
4. Move the fire back into the opening, whilst pulling the excess slack of the cable tight.
5. Cut the cable 50mm away from the body of the fire.
6. Feed the straddle clamp onto the end of the wire, and screw tight.
Fig:3



Fig:2

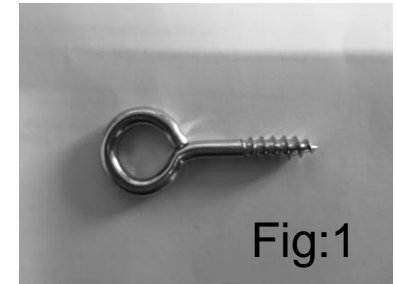
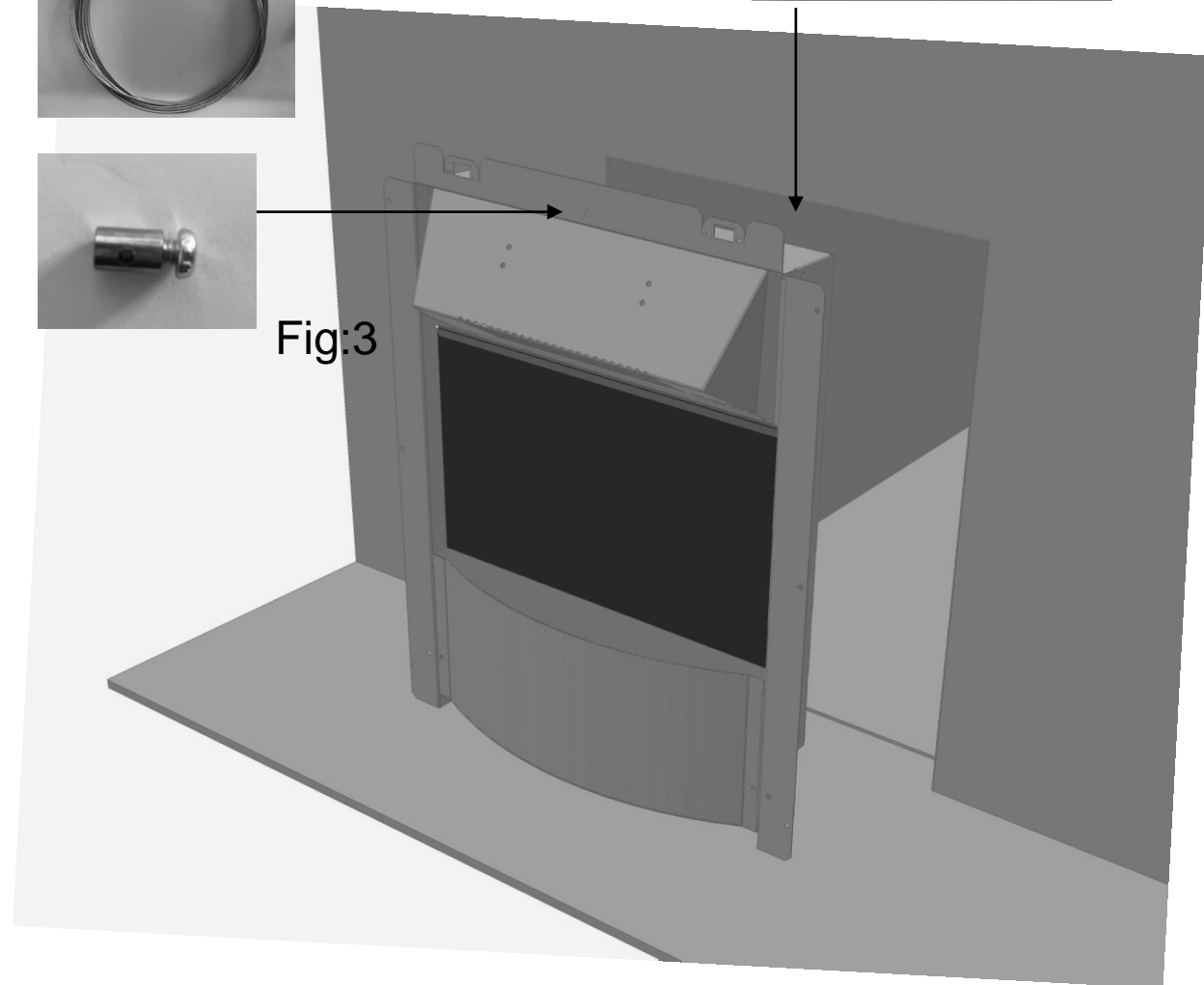


Fig:1



Fig:3



OPERATING INSTRUCTIONS

The appliance can be operated manually using the rocker switch to the right of the heater outlet, or by remote control. To operate, first press the right master switch (located to the right of the heater under the canopy) which is marked (O/I) to the (I) position then perform the following actions:

FLAME EFFECT ONLY (NO HEAT)

Manual – Press the rocker switch on the appliance once.

Remote – Press the button marked (I) on the remote handset.

FLAME EFFECT WITH 1Kw OF HEAT

Manual – Press the second rocker switch on the appliance to the (I) position.

Remote – Press the button marked (O/I) on the remote handset.

FLAME EFFECT WITH 2Kw OF HEAT

Manual – Press the third rocker switch on the appliance to the (II) position.

Remote – Press the button marked (I/II) on the remote handset.

STANDBY MODE – NO HEAT OR FLAME EFFECT

Manual – Press the first rocker switch on the appliance to the (O) position.

Remote – Press the button marked (O) on the remote handset.

NOTE: The button marked () is not functional on this model.

NOTE: The remote control handset uses 1x A23 = 12v / 32A battery. Make sure the battery is installed correctly.

MAINTENANCE

BULB REPLACEMENT

Always switch the appliance and disconnect from the mains before replacing the bulb.

Replacement bulb specification: B22, 20w/ 1200 Lumen, Warm White 220-240V, 50 -60Hz, Energy Saving Lamp.

To replace the bulb, first remove the decorative frame/fascia and remove all of the pebbles or coals from the top of the fuel bed.

Next remove the two screws that secure the fuel bed to the appliance and carefully lift the fuel bed away.

Push down and twist the expired bulb whilst taking care not to displace any of the flame ribbons and replace with a new one.

Re-fit the fuel bed and secure with the two screws removed earlier. Replace the pebbles / coals and re-fit the frame / fascia.

CLEANING

Always switch off the appliance and disconnect from the mains before cleaning.

Clean the outside of the appliance with a dry soft cloth. Do not use furniture polish or abrasive materials.

CAPTIAL FIREPLACES LTD

Unit 12-17, Henlow Trading Estate, Henlow Camp, Bedfordshire, SG16 6DS

TEL: 01462 813138 FAX: 0800 980 4847